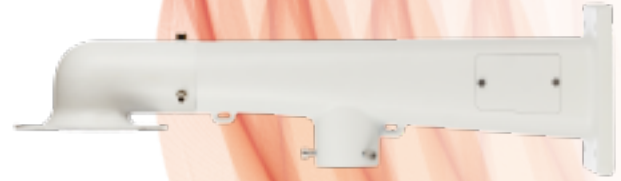


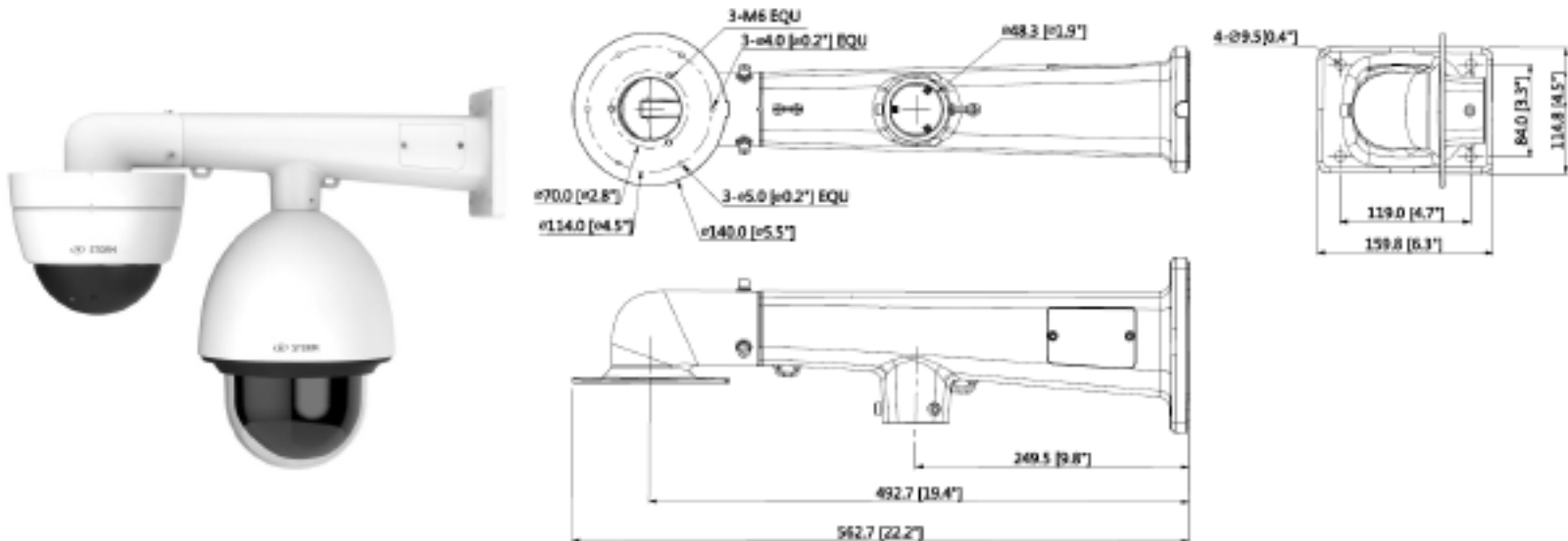
INSX412

Dual Bracket for Dome & PTZ Camera

- Neat Design
- Material: Aluminum
- Supports linkage scheme between dome camera and PTZ camera
- Safety rope hook attached, secure and reliable
- Maintenance cover board attached, convenient operation



Features	
Material	Aluminum
Dimension	563mm x 115mm x 160mm (22.17" x 4.53" x 6.3")
Load Bearing	Bullet: 3kg (6.61 lbs) PTZ: 7kg (15.43 lbs)
Weight	2.3kg (5.07 lbs)
Color	White
Operating Temperature	-40°C to +60°C (-40°F to +140°F)
Humidity	0~90% RH



*Design and specifications are subjects to change without notice.

